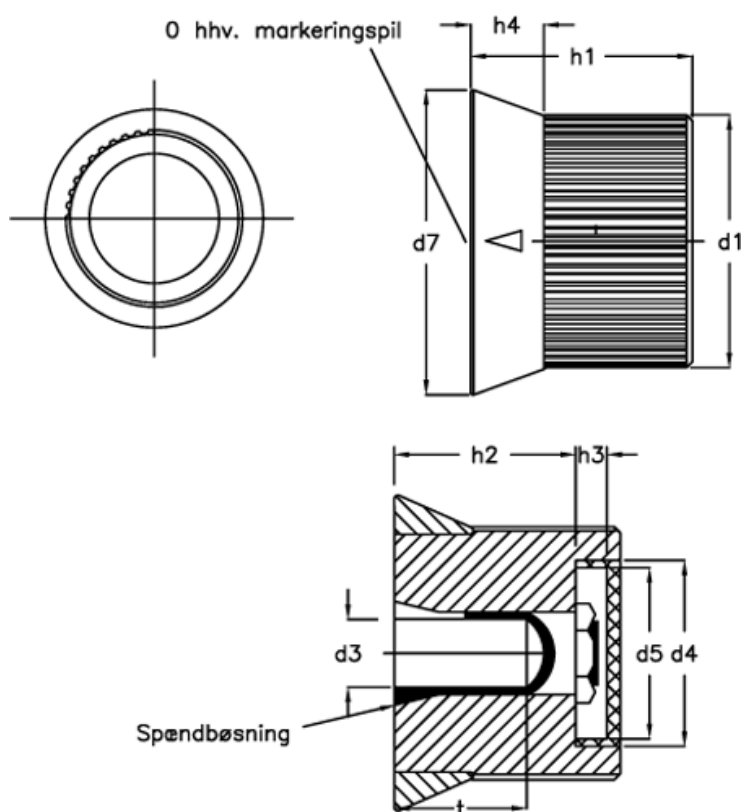


Article number: 20625199

Description: E+G Control knob  
GN 726.2-42-Z10-S-2

## Measures



d1 = 42	h4 = 11
d3 = Z10	t min = 20
d4 = 32	
d5 = 30	
d7 = 50.0	
h1 = 34	
h2 = 28	
h3 = 4.0	